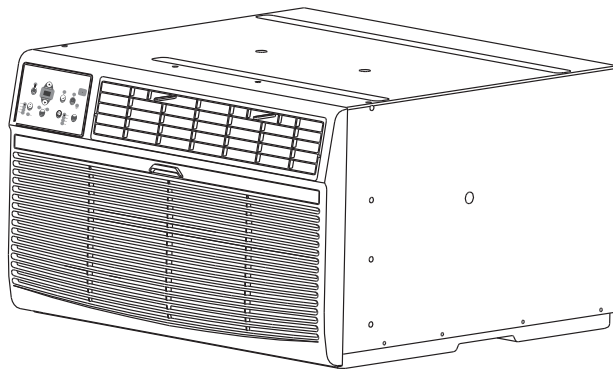


HEAT CONTROLLER, INC.

OWNER'S MANUAL



Room Air Conditioner with R-410A:

BG-81J

BG-101J

BG-103J

BG-121G

BG-123J

BG-143J

BGE-103J

BGE-123J

CONTENTS

- 1. SAFETY PRECAUTIONS.....2**
- 2. IMPORTANT SAFETY INSTRUCTIONS4**
- 3. NORMAL SOUNDS5**
- 4. AIR CONDITIONER FEATURES5**
- 5. INSTALLATION INSTRUCTIONS.....9**
- 6. CARE AND CLEANING22**
- 7. TROUBLESHOOTING TIPS.....23**

Read This Manual

Inside you will find many helpful hints on how to use and maintain your air conditioner properly. Just a little preventive care on your part can save you a great deal of time and money over the life of your air conditioner. You'll find many answers to common problems in the chart of troubleshooting tips. If you review our chart of Troubleshooting Tips first, you may not need to call for service at all.



CAUTION

- Contact the authorised service technician for repair or maintenance of this unit.
- Contact the installer for installation of this unit.
- The air conditioner is not intended for use by young children or infirm persons without supervision.
- Young children should be supervised to ensure that they do not play with the air conditioner.
- If the power cord is to be replaced, replacement work shall be performed by authorised personnel only.
- Installation work must be performed in accordance with the national wiring standards by authorised personnel only.



NOTE: *All the illustrations in this manual are for explanation purpose only. Your air conditioner may be slightly different. The actual shape shall prevail.*

Safety Precautions

To prevent injury to the user or other people and property damage, the following instructions must be followed. Incorrect operation due to ignoring of instructions may cause harm or damage. The seriousness is classified by the following indications.

 WARNING	This symbol indicates the possibility of death or serious injury.
 CAUTION	This symbol indicates the possibility of injury or damage to property.

■ Meanings of symbols used in this manual are as shown below.

	Never do this.
	Always do this.

WARNING

Ⓢ Plug in power plug properly.

- Otherwise, it may cause electric shock or fire due to excess heat generation.

Ⓢ Do not operate or stop the unit by inserting or pulling out the power plug.

- It may cause electric shock or fire due to heat generation.

Ⓢ Do not damage or use an unspecified power cord.

- It may cause electric shock or fire.
- If the power cord is damaged, it must be replaced by the manufacturer or an authorised service centre or a similarly qualified person in order to avoid a hazard.

Ⓢ Do not modify power cord length or share the outlet with other appliances.

- It may cause electric shock or fire due to heat generation.

Ⓢ Do not operate with wet hands or in damp environment.

- It may cause electric shock.

Ⓢ Do not direct airflow at room occupants only.

- This could damage your health.

Ⓢ Always ensure effective earthing.

- Incorrect earthing may cause electric shock.

Ⓢ Do not allow water to run into electric parts.

- It may cause failure of machine or electric shock.

Ⓢ Always install circuit breaker and a dedicated power circuit.

- Incorrect installation may cause fire and electric shock.

Ⓢ Unplug the unit if strange sounds, smell, or smoke comes from it.

- It may cause fire and electric shock.

Ⓢ Do not use the socket if it is loose or damaged.

- It may cause fire and electric shock.

Ⓢ Do not open the unit during operation.

- It may cause electric shock.

Ⓢ Keep firearms away.

- It may cause fire.

Ⓢ Do not use the power cord close to heating appliances.

- It may cause fire and electric shock.

Ⓢ Do not use the power cord near flammable gas or combustibles, such as gasoline, benzene, thinner, etc.

- It may cause an explosion or fire.

Ⓢ Ventilate room before operating air conditioner if there is a gas leakage from another appliance.

- It may cause explosion, fire and, burns.

Ⓢ Do not disassemble or modify unit.

- It may cause failure and electric shock.

 **CAUTION**

⊖ When the air filter is to be removed, do not touch the metal parts of the unit.

- It may cause an injury.

⊖ Do not clean the air conditioner with water.

- Water may enter the unit and degrade the insulation. It may cause an electric shock.

⊖ Ventilate the room well when used together with a stove, etc.

- An oxygen shortage may occur.

⊖ When the unit is to be cleaned, switch off, and turn off the circuit breaker.

- Do not clean unit when power is on as it may cause fire and electric shock, it may cause an injury.

⊖ Do not put a pet or house plant where it will be exposed to direct air flow.

- This could injure the pet or plant.

⊖ Do not use for special purposes.

- Do not use this air conditioner to preserve precision devices, food, pets, plants, and art objects. It may cause deterioration of quality, etc.

⊖ Stop operation and close the window in storm or hurricane.

- Operation with windows opened may cause wetting of indoor and soaking of household furniture.

⊖ Hold the plug by the head of the power plug when taking it out.

- It may cause electric shock and damage.

⊖ Turn off the main power switch when not using the unit for a long time.

- It may cause failure of product or fire.

⊖ Do not place obstacles around air-inlets or inside of air-outlet.

- It may cause failure of appliance or accident.

⊖ Ensure that the installation bracket of the outdoor appliance is not damaged due to prolonged exposure.

- If bracket is damaged, there is concern of damage due to falling of unit.

⊖ Always insert the filters securely. Clean filter once every two weeks.

- Operation without filters may cause failure.

⊖ Do not use strong detergent such as wax or thinner but use a soft cloth.

- Appearance may be deteriorated due to change of product color or scratching of its surface.

⊖ Do not place heavy object on the power cord and ensure that the cord is not compressed.

- There is danger of fire or electric shock.

⊖ Do not drink water drained from air conditioner.

- It contains contaminants and could make you sick.

⊖ Use caution when unpacking and installing. Sharp edges could cause injury.

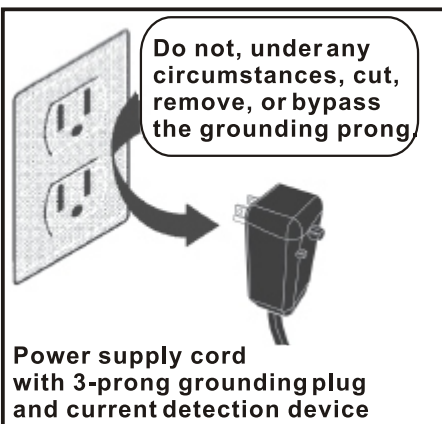
⊖ If water enters the unit, turn the unit off at the power outlet and switch off the circuit breaker. Isolate supply by taking the power-plug out and contact a qualified service technician.

IMPORTANT SAFETY INSTRUCTIONS

NOTE The power supply cord with this air conditioner contains a current detection device designed to reduce the risk of fire.

Please refer to the section 'Operation of Current Device' for details.

In the event that the power supply cord is damaged, it cannot be repaired-it must be replaced with a cord from the Product Manufacturer.



⚠ WARNING For your safety

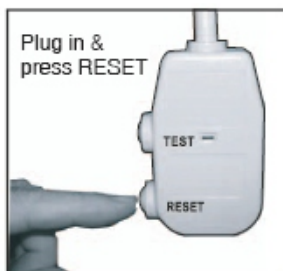
- Do not store or use gasoline or other flammable vapors and liquids in the vicinity of this or any other appliance.
- Avoid fire hazard or electric shock. Do not use an extension cord or an adaptor plug. Do not remove any prong from the power cord.

⚠ WARNING Electrical Information

- Be sure the electrical service is adequate for the model you have chosen. This information can be found on the serial plate, which is located on the side of the cabinet and behind the grille.
 - Be sure the air conditioner is properly grounded. To minimize shock and fire hazards, proper grounding is important. The power cord is equipped with a three-prong grounding plug for protection against shock hazards.
 - Your air conditioner must be used in a properly grounded wall receptacle. If the wall receptacle you intend to use is not adequately grounded or protected by a time delay fuse or circuit breaker, have a qualified electrician install the proper receptacle.
 - Ensure the receptacle is accessible after the unit installation.
 - Do not run air conditioner without side protective cover in place. This could result in mechanical damage within the air conditioner.
- Do not use an extension cord or an adapter plug.**

Operation of Current Device

The power supply cord contains a current device that senses damage to the power cord. To test your power supply cord do the following:



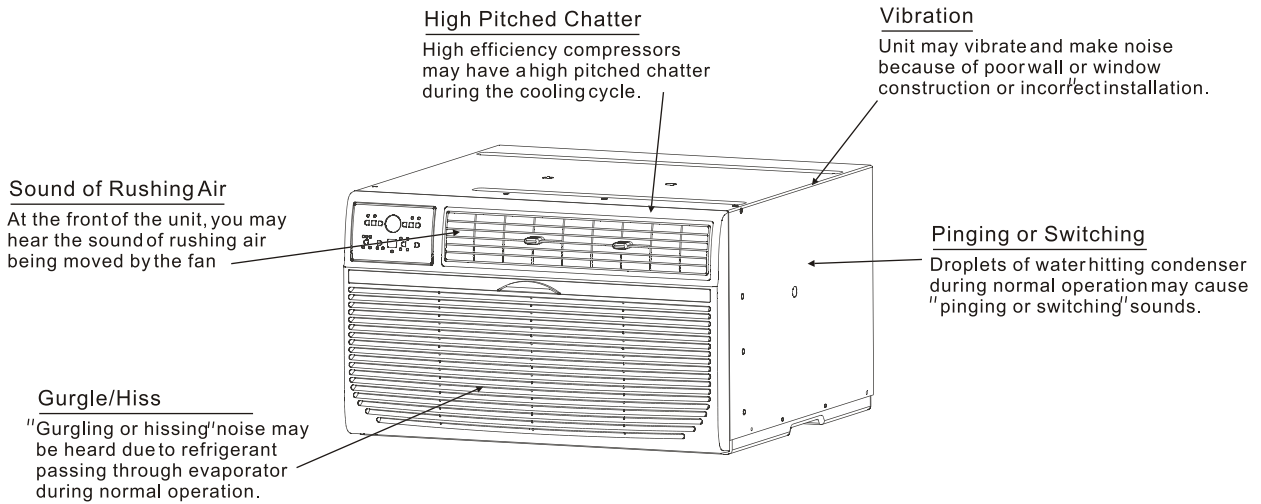
NOTE: Some plugs have buttons on the top.

1. Plug in the Air Conditioner.
2. The power supply cord will have TWO buttons on the plug head. Press the TEST button, you will notice a click as the RESET button pops out.
3. Press the RESET button, again you will notice a click as the button engages.
4. The power supply cord is now supplying electricity to the unit. (On some products this it also indicated by a light on the plug head.)

NOTES:

- Do not use this device to turn the unit on or off.
- Always make sure the RESET button is pushed in for correct operation.
- The power supply must be replaced if it fails reset when either the TEST button is pushed, or it cannot be reset. A new one can be obtained from the product manufacturer.
- If power supply cord is damaged, it cannot be repaired. It **MUST** be replaced by one obtained from the product manufacturer.

NORMAL SOUNDS



NOTE: This air conditioner is designed to be operated under condition as follows:

Cooling operation	Outdoor temp:	18-43°C (T ₁ Environment)	21-52°C (T ₃ Environment)
	Indoor temp:	17-32 °C (T ₁ Environment)	17-32°C (T ₃ Environment)
Heating operation	Outdoor temp:	-5-24°C (T ₁ Environment)	-7-24°C (T ₃ Environment)
	Indoor temp:	0 -27 °C (T ₁ Environment)	0-30°C (T ₃ Environment)

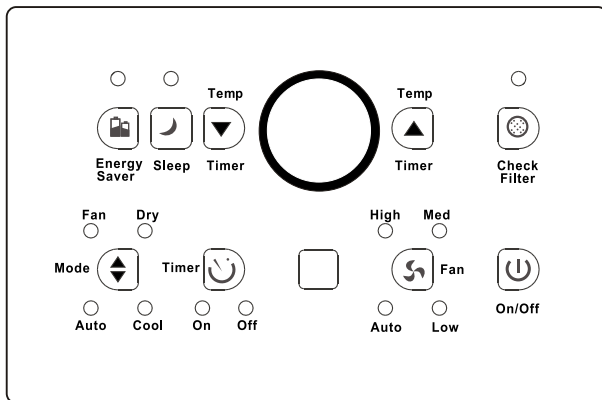
Note: Performance may be reduced outside of these operating temperatures.

AIR CONDITIONER FEATURES

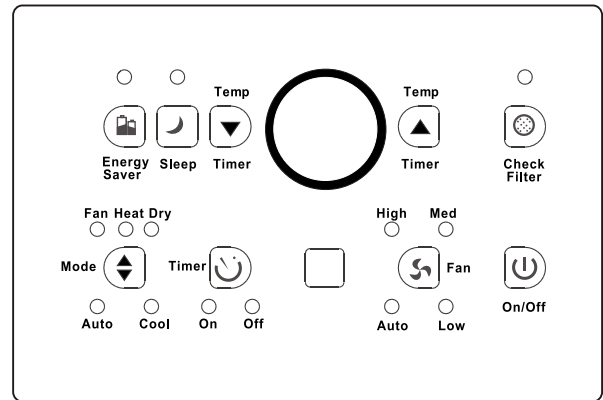
ELECTRONIC CONTROL OPERATING INSTRUCTIONS

Before you begin, thoroughly familiarize yourself with the control panel and remote as shown below and all its functions, then follow the symbol for the functions you desire. **The unit can be controlled by the unit control alone or with the remote.**

UNIT CONTROL



(BG)
(Cooling Only Models)

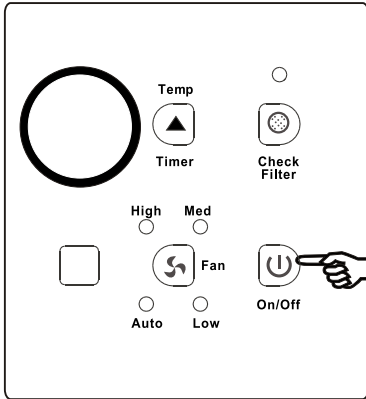


(BGE)
(Electric Heating Models)

AIR CONDITIONER FEATURES(CONTINUED)

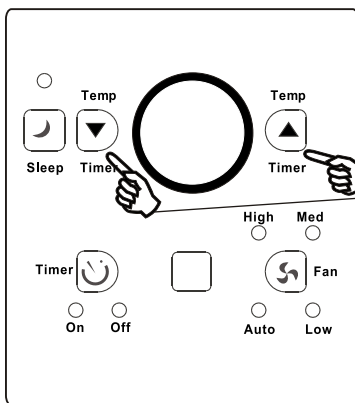
NOTE: The following instructions represent the Unit Controls, the same instructions can be used for the Remote Control.

TO TURN UNIT ON:



DO THIS:
Press the On/Off button.

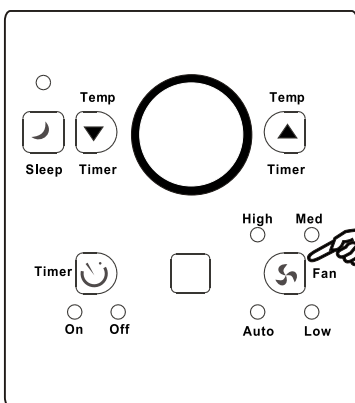
TO CHANGE TEMPERATURE SETTING:



DO THIS:
Press to raise
Press to lower

NOTE:
Press or hold either Up(▲) or Down (▼) button until the desired temperature is seen on the display. This temperature will be automatically maintained anywhere between 62°F(17°C) and 86°F(30°C).If you want the display to read the actual room temperature, see To“Operate on Fan Only”section.

TO ADJUST FAN SPEEDS:

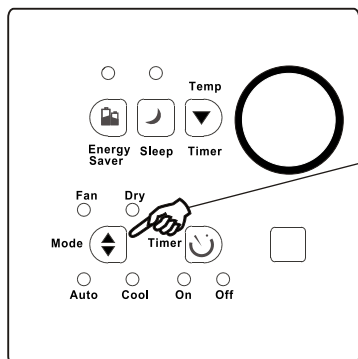


DO THIS:
Press to select
appropriate fan
speed

NOTE:
Used to select the Fan Speed in four steps- Auto, Low, Med or High. Each time the button is pressed, the fan speed mode is shifted.For some models, the fan speed can not be adjusted under HEAT mode. On Dry mode,the fan speed is controlled at Low automatically.

AIR CONDITIONER FEATURES(CONTINUED)

TO SELECT THE OPERATING MODE:



DO THIS:
Press the Mode button.

NOTE:

- To choose operating mode, press the Mode button. Each time you press the button, a mode is selected in a sequence that goes from Auto, Cool, Dry, Heat and Fan. The indicator light beside will be illuminated and remained on once the mode is selected.

To operate on Auto feature:

- When you set the air conditioner in AUTO mode, it will automatically select cooling, heating(cooling only models without), or fan only operation depending on what temperature you have selected and the room temperature.
- The air conditioner will control room temperature automatically round the temperature point set by you.
- In this mode, the fan speed cannot be adjusted, it starts automatically at a speed according to the room temperature.

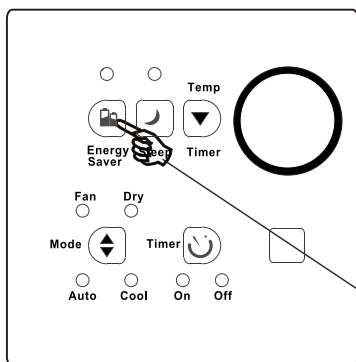
To operate on Fan Only:

- Use this function only when cooling is not desired, such as for room air circulation or to exhaust stale air(on some models). (Remember to open the vent during this function, but keep it closed during cooling for maximum cooling efficiency.) You can choose any fan speed you prefer.
- During this function, the display will show the actual room temperature, not the set temperature as in the cooling mode.
- In Fan only mode ,the temperature is not adjusted.

To operate on Dry mode:

- In this mode, the air conditioner will generally operate in the form of a dehumidifier. Since the conditioned space is a closed or sealed area, some degree of cooling will continue.

TO USE THE ENERGY SAVER FEATURE:

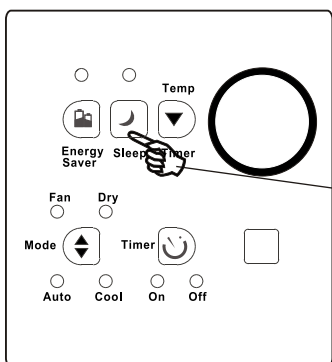


DO THIS:
Press the button

NOTE:

This function is available on COOL mode.The fan will continue to run for 3 minutes after the compressor shuts off.The fan then cycles on for 2 minutes at 10 minute intervals until the room temperature is above the set temperature, at which time the compressor turns back on and Cooling Starts.

SLEEP FEATURE:



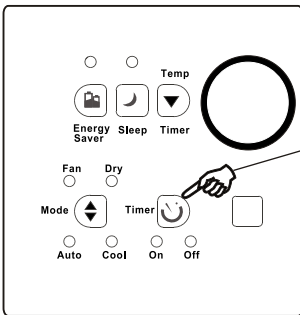
DO THIS:
Press Sleep button

NOTE:

In this mode the selected temperature will increase (cooling) or decrease(heating) by 2°F/1(or2)°C 30 minutes after the mode is selected.The temperature will then increase(cooling) or decrease(heating) by another 2°F/1(or2)°C after an additional 30 minutes. This new temperature will be maintained for 6 hours before it returns to the originally selected temperature. This ends the Sleep mode and the unit will continue to operate as originally programmed. The Sleep mode program can be cancelled at any time during operation by again pressing the Sleep button.

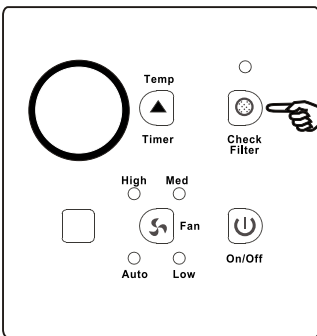
AIR CONDITIONER FEATURES(CONTINUED)

TIMER: AUTO START/ STOP FEATURE:



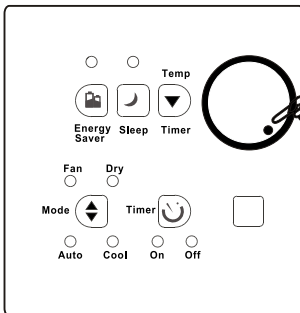
DO THIS:
Press Timer button

CHECK FILTER FEATURE:



DO THIS:
Press Check Filter button

DISPLAYS:



Displays

NOTE:

- When the unit is on or off, first press the Timer button, the TIMER ON indicator light illuminates. It indicates the Auto Start program is initiated.
- When the time of TIMER ON is displayed ,press the Timer button again, the TIMER OFF indicator light illuminates. It indicates the Auto Stop program is initiated.
- Press or hold the UP or DOWN button to change the Auto time by 0.5 hour increments, up to 10 hours, then at 1 hour increments up to 24 hours. The control will count down the time remaining until start.
- The selected time will register in 5 seconds, and the system will automatically revert back to display the previous temperature setting or room temperature when the unit is on.(when the unit is off,there is no display.)
- Turning the unit ON or OFF at any time or adjusting the timer setting to 0.0 will cancel the Auto Start/Stop timed program.

NOTE:

This feature is a reminder to clean the Air Filter for more efficient operation. The LED(light) will illuminate after 250 hours of operation. To reset after cleaning the filter, press the Check Filter button and the light will go off.

DISPLAYS:

Shows the set temperature in " °C" or " °F" and the Auto-timer settings. While on Fan only mode, it shows the room temperature.

Error codes:

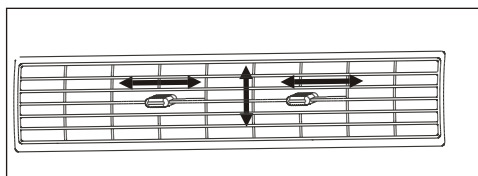
- AS**-Room temperature sensor error-Unplug the unit and plug it back in.If error repeats, call for service.
NOTE:In Fan only mode,it will display"LO" or "HI".
- -Evaporator temperature sensor error-Unplug the unit and plug it back in.If error repeats, call for service.
NOTE: " • "is displayed as shown in the left picture.
- HS** -Electric heating sensor error-Unplug the unit and plug it back in.If error repeats, call for service.

ADDITIONAL THINGS YOU SHOULD KNOW

Now that you have mastered the operating procedure, here are more features in your control that you should become familiar with.

- The Cool circuit has an automatic 3 minute time delayed start if the unit is turned off and on quickly. This prevents overheating of the compressor and possible circuit breaker tripping. The fan will continue to run during this time.
- The control will maintain any set temperature within 2°F, between 60°F and 90°F degrees.
- The control is capable of displaying temperature in degrees Fahrenheit or degrees Celsius. To convert from one to the other, press and hold the Up and Down Temp/Timer buttons at the same time, for 3 seconds.

Air Directional Louvers



Air Direction(4-way)

The 4-way air directional louvers allow you to direct the air flow Up or Down and Left or Right throughout the room as needed. To adjust the air directional louvers side-to-side, use the two center handles as you move it side-to-side.

INSTALLATION INSTRUCTIONS

Do This First (for existing sleeve)

Note that the air conditioner dimensions are: 24 inches wide, 14½ inches high, and 18½ inches deep(without front). Install Air Conditioner according to these installation instructions to achieve the best performance. Save these installation instructions for future reference.

Items in Kit

You may not need all parts in the kit. Discard unused parts.

		Qty.
Tapered Spacer Blocks	17" Long	2
Centering/Support Blocks	4½" x 3½" x 1½"	2
Plastic Divider	1/8" x 4½" x 14½"	1
Stuffer Seal	1" x 1½" x 84"	1
Seal	½" x 1½" x 26½"	2
Seal	½" x 1½" x 14"	2
Seal	½" x 3/8" x 26½"	2
Seal	½" x 3/8" x 14"	2
Seal	1" x 3/4" x 14"	1
Trim Frame(side legs)		2
Trim Frame(top & bottom legs)		2
Ground Wire(green)		1
Nut for grounding screw		1
Grounding Screw		1
Grille(plastic)		1
Grille Aluminum		1
Nuts(plastic)		4
Screw Washer		4

INSTALLATION INSTRUCTIONS(CONTINUED)

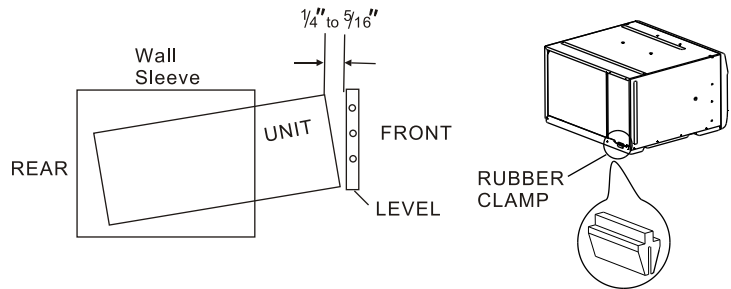
How to Install

1. Identify the wall-sleeve brand for your installation, from the chart below.

<u>Brand</u>	<u>Wall Sleeve Dimensions</u> (inches)		
	<u>Width</u>	<u>Height</u>	<u>Depth</u>
White-Westinghouse } Frigidaire Carrier	25 ¹ / ₂	15 ¹ / ₄	16, 17 ¹ / ₂ or 22
General Electric/Hotpoint	26	15 ⁵ / ₈	16 ⁷ / ₈
Whirlpool	25 ⁷ / ₈	16 ¹ / ₂	17 ¹ / ₈ or 23
Fedders/Emerson	27	16 ³ / ₄	16 ³ / ₄ or 19 ³ / ₄
Sears/Kenmore } Carrier	25 ³ / ₄	16 ⁷ / ₈	18 ⁵ / ₈
Emerson/Fedders	26 ³ / ₄	15 ³ / ₄	15
Friedrich	27	16 ³ / ₄	16 ³ / ₄

NOTE: All wall sleeves used to mount the new Air Conditioner must be in sound structural condition and have a rear grille that securely attaches to sleeve, or rear flange that serves as a stop for the Air Conditioner.

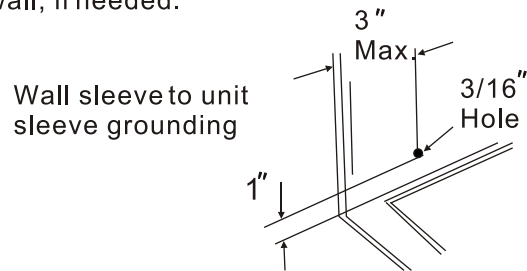
CAUTION: When installation is complete, replacement unit **MUST** have a rearward slope as shown. And ensure the **RUBBER CLAMP** on the chassis at the back of the unit had been removed before place the unit into the sleeve. But if the rearward slope is more than 1/2", do not remove the Rubber Clamp before installation.



2. Remove old Air Conditioner from wall sleeve and prepare wall sleeve as follows:

- Clean interior (do not disturb seals).
- Wall sleeve must be securely fastened in wall before installing Air Conditioner. Drive more nails or screws through sleeve, into wall, if needed.
- Repair paint if needed.

3. If not existing, drill a 3/16" clearance hole for grounding screw through left side of wall sleeve, in a clear area about 3 inches maximum (to suit) back from front edge of sleeve as shown below. Next attach ground wire inside sleeve, using grounding screw and nut. Pull loose end of ground wire out front of sleeve, and temporarily bend it down and around lower edge of sleeve.



4. Prepare the wall sleeve for installation of the new unit per the following Brand instructions.

- | | |
|--|---|
| #1 Emerson | 15" Deep |
| #2 Fedders | 19 ³ / ₄ " Deep |
| #3 Fedders or Friedrich | 16 ³ / ₄ " Deep |
| #4 General Electric/Hotpoint | 16 ⁷ / ₈ " Deep |
| #5 Sears or Carrier | 18 ⁵ / ₈ " Deep |
| #6 Whirlpool | 17 ¹ / ₈ " Deep |
| #7 Whirlpool | 23" Deep |
| #8 White-Westinghouse/
Frigidaire/Carrier | 16"+17 ³ / ₄ " Deep |
| #9 White-Westinghouse/Frigidaire | 22" Deep |

5. Install new unit into wall sleeve.

6. To attach ground wire to the new unit, remove the screw from the left side front.

7. Assemble and install the Trim Frame (see instruction).

This units increased performance characteristics meant;

1. The rear air intake moved to the opposite side,
2. The depth had to be increased.

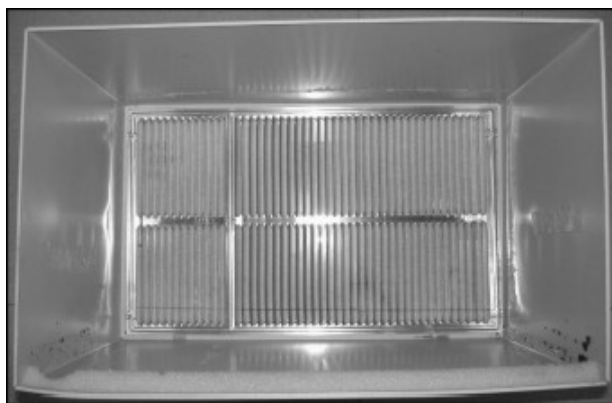
It is very important that these installation instructions are followed so your unit can operate at maximum efficiency.

If this is an existing sleeve, and there is an existing rear grille, the louvers will have to be bent as per the instructions at the beginning of each section.

If this proves too difficult to accomplish;

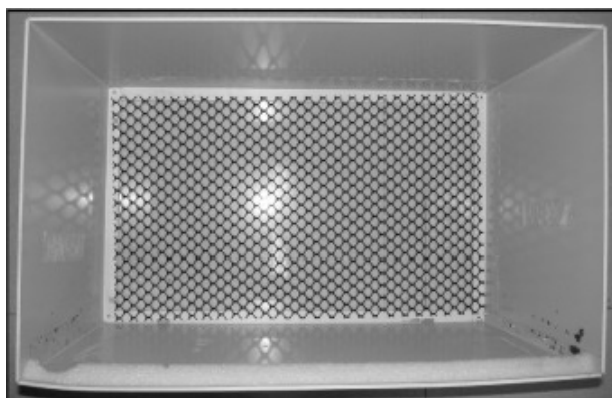
EITHER

1. Remove the existing grille.
2. Place the included aluminum grille towards the rear of the unit.
3. Mark through the hole positions.
4. Drill through the sleeves flanges with a 1/8" drill bit.
5. Attached the new grille with self-threading screws and washers(not included).
6. It is VERY IMPORTANT that the partition be placed on the left side of the sleeve as shown below.

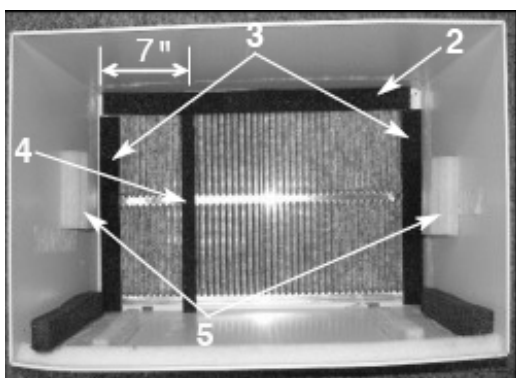
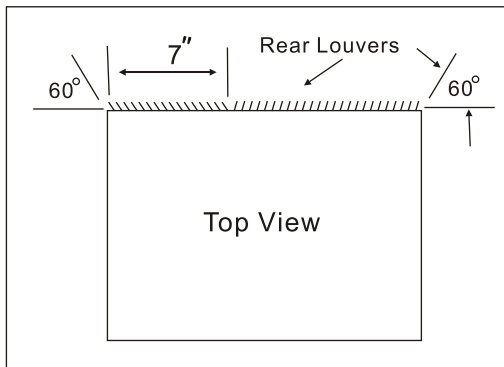


OR

1. Remove the existing grille.
2. Use plastic grille and secure to sleeves flanges using existing screws and washers.



Wall Sleeve Brands:

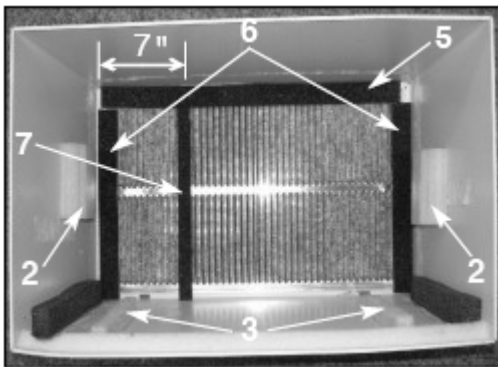
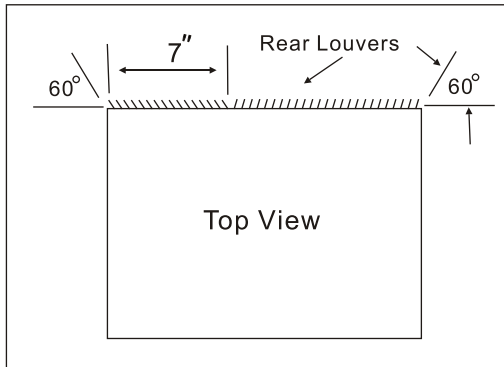


#1 Emerson

15' Deep

1. Redirect the louvers at the back of the wall sleeve as shown in the illustration. The use of pliers is recommended.
2. Attach (1) 1 1/2" x 3/8" x 25" long seal in the center at the top of the sleeve. Remove the backing paper and press into position.
3. Attach the (2) 1 1/2" x 3/8" x 14" long seals to the left and right sides of the sleeve.
4. Cut the 1 1/2" x 3/8" x 25" long seal to 14" long, and attach it to the vertical section of the rear grille as shown.
5. Attach (2) 4 1/2" x 3 1/2" x 1 1/2" centering/support blocks one on each side wall. Place in center of side wall with the tapered end facing the opening.
6. Gently slide unit into sleeve.
7. Before sliding all-the-way back, remove 2nd screw from front on left side of unit.
8. Remove the plastic washer from the screw.
9. Screw and attach the other end of the ground wire to the unit as shown in picture. Make sure that the toothed washer is against the cabinet.
10. Slide the unit completely to the rear to ensure a good seal, making sure the ground wire does not become tangled.
11. Seal & Frame the unit as described on the last page of these instructions.

Wall Sleeve Brands:

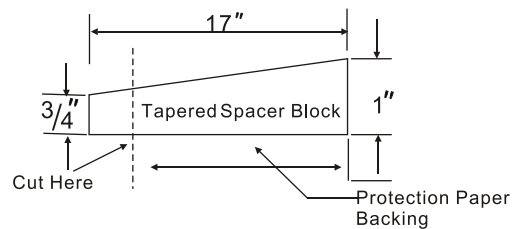


#2 Fedders

19³/₄" Deep

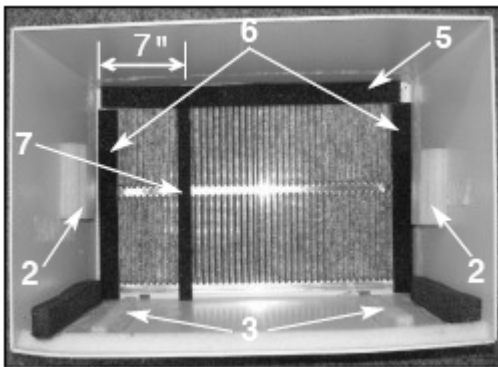
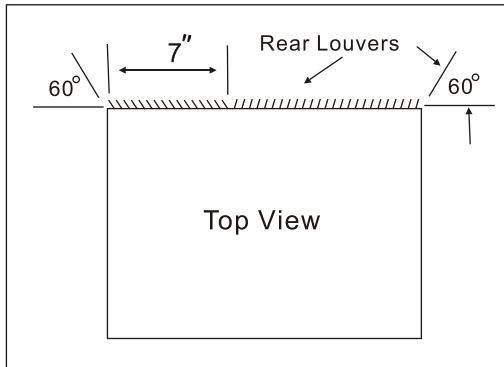
1. Redirect the louvers at the back of the wall sleeve as shown in the illustration. The use of pliers is recommended.

2. Attach (1) 4¹/₂" x 3¹/₂" x 1¹/₂" centering/support blocks one on each side wall. Place in center of side wall with the tapered end facing the opening.
3. Cut (2) 17" Tapered Spacer Blocks as shown below into two pieces.



4. The 4" section is placed in front of the rib on base with the tapered end facing the back of the sleeve. The remaining portion will be placed behind the rib again sloping toward the rear of the sleeve. This helps induce a rearward slope on the unit.
5. Attach (1) 4¹/₂" x 3/8" x 25" long seal in the center at the top of the sleeve. Remove the backing paper and press into position.
6. Attach (2) 1¹/₂" x 3/8" x 14" seals to the left and right sides of the sleeve.
7. Cut the 1¹/₂" x 3/8" x 25" long seal to 14" long and attach it to the vertical section of the rear grille as shown.
8. Gently slide unit into sleeve.
9. Before sliding all-the-way back, remove 2nd screw from front on left side of unit.
10. Remove the plastic washer from the screw.
11. Screw and attach the other end of the ground wire to the unit as shown in picture. Make sure that the toothed washer is against the cabinet.
12. Slide the unit completely to the rear to ensure a good seal, making sure the ground wire does not become tangled.
13. Seal & Frame the unit as described on the last page of these instructions.

Wall Sleeve Brands:

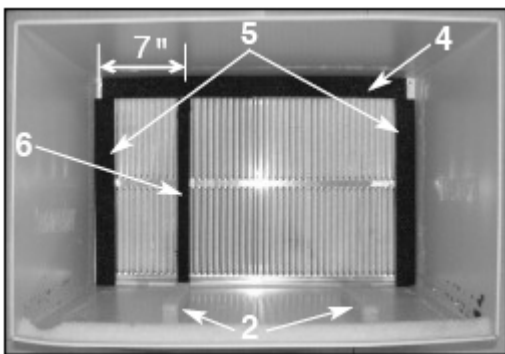
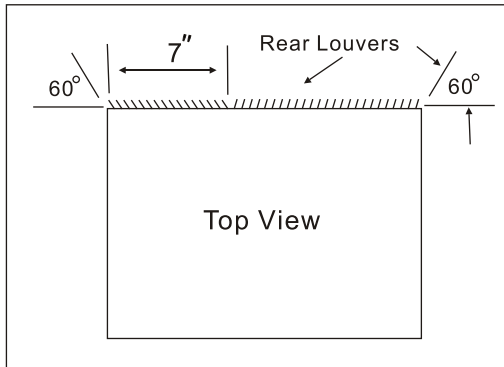


#3 Fedders or Friedrich 16^{3/4}" Deep

1. Redirect the louvers at the back of the wall sleeve as shown in the illustration. The use of pliers is recommended.
2. Attach (1) 4^{1/2}" x 3^{1/2}" x 1^{1/2}" centering/support blocks one on each side wall. Place in center of side wall with the tapered end facing the opening.
3. Cut (2) 17" Tapered Spacer Blocks as shown below into three pieces.

A diagram of a tapered spacer block. The total length is 17 inches. The top thickness is 3/4 inch and the bottom thickness is 1 inch. A cut is made at 12-1/2 inches from the left end. The remaining 4-1/2 inch section is labeled as 2-1/2 inch Protection Paper Backing.
4. The 2^{1/2}" section is placed in front of the rib on base with the tapered end facing the back of the sleeve. Cut the remaining portion to 12^{1/2}" and placed behind the rib again sloping toward the rear of the sleeve. This helps induce a rearward slope on the unit.
5. Attach (1) 1^{1/2}" x 3/8" x 25" long seal in the center at the top of the sleeve. Remove the backing paper and press into position.
6. Attach (2) 1^{1/2}" x 3/8" x 14" seals to the left and right sides of the sleeve.
7. Cut the 1^{1/2}" x 3/8" x 25" long seal to 14" long and attach it to the vertical section of the rear grille as shown.
8. Gently slide unit into sleeve.
9. Before sliding all-the-way back, remove 2nd screw from front on left side of unit.
10. Remove the plastic washer from the screw.
11. Screw and attach the other end of the ground wire to the unit as shown in picture. Make sure that the toothed washer is against the cabinet.
12. Slide the unit completely to the rear to ensure a good seal, making sure the ground wire does not become tangled.
13. Seal & Frame the unit as described on the last page of these instructions.

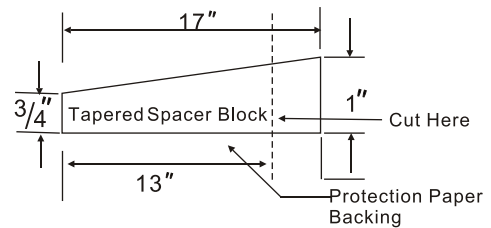
Wall Sleeve Brands:



#4 General Electra/Hotpoint 16⁷/₈" Deep

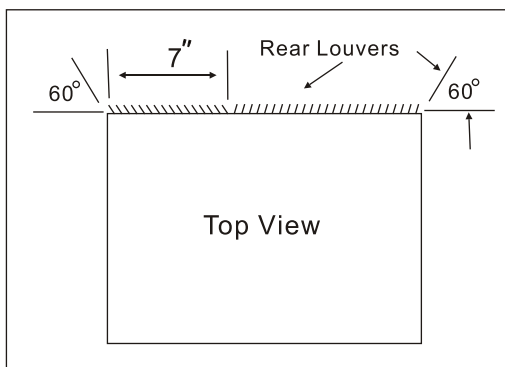
1. Redirect the louvers at the back of the wall sleeve as shown in the illustration. The use of pliers is recommended.

2. Cut (2) 17" Tapered Spacer Blocks as shown below into two pieces.



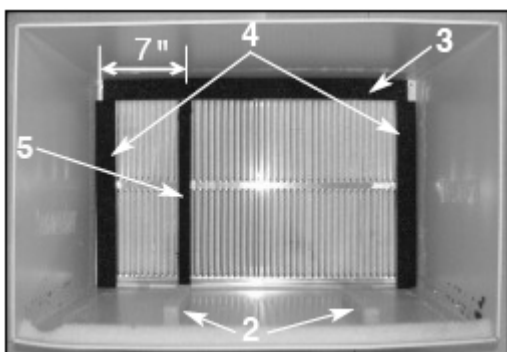
3. Install as shown with the tapered end 1/2" from the back of the sleeve. This helps induce a rearward slop on the unit.
4. Attach (1) 1 1/2" x 3/8" x 25" long seal in the center at the top of the sleeve. Remove the backing paper and press into position.
5. Attach (2) 1 1/2" x 3/8" x 14" seals to the left and right sides of the sleeve.
6. Cut the 1 1/2" x 3/8" x 25" long seal to 14" long and attach it to the vertical section of the rear grille as shown.
7. Center unit and gently slide unit into sleeve.
8. Before sliding all-the-way back, remove 2nd screw from front on left side of unit.
9. Remove the plastic washer from the screw.
10. Screw and attach the other end of the ground wire to the unit as shown in picture. Make sure that the toothed washer is against the cabinet.
11. Slide the unit completely to the rear to ensure a good seal, making sure the ground wire does not become tangled.
12. Seal & Frame the unit as described on the last page of these instructions.

Wall Sleeve Brands:



#5 Sears or Carrier 51S Series (18^{5/8} Deep)

1. Redirect the louvers at the back of the wall sleeve as shown in the illustration. The use of pliers is recommended.



2. Install (2) tapered spacer blocks to the floor of the sleeve as shown. DO NOT CUT THESE BLOCKS. This helps induce a rearward slop on the unit.

3. Install as shown with the tapered end 1/2" from the back of the sleeve. This helps induce a rearward slop on the unit.

4. Attach (1) 1 1/2" x 3/8" x 25" long seal in the center at the top of the sleeve. Remove the backing paper and press into position.

5. Attach (2) 1 1/2" x 3/8" x 14" seals to the left and right sides of the sleeve.

6. Cut the 1 1/2" x 3/8" x 25" long seal to 14" long and attach it to the vertical section of the rear grille as shown.

7. Center unit and gently slide unit into sleeve.

8. Before sliding all-the-way back, remove 2nd screw from front on left side of unit.

9. Remove the plastic washer from the screw.

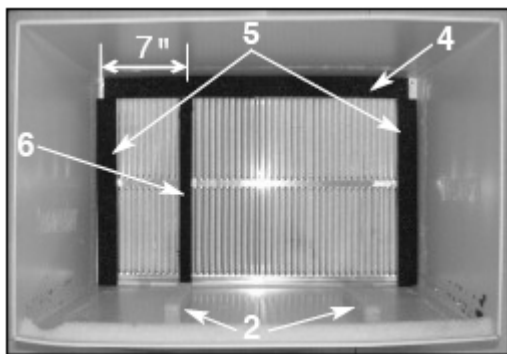
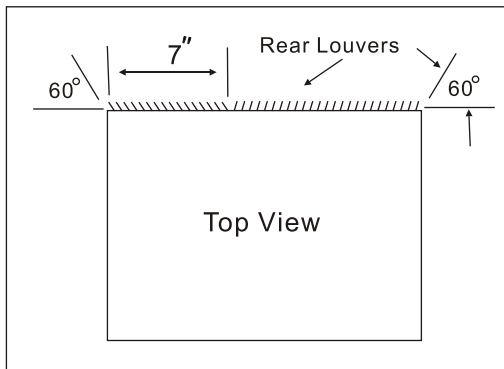
10. Screw and attach the other end of the ground wire to the unit as shown in picture. Make sure that the toothed washer is against the cabinet.

11. Slide the unit completely to the rear to ensure a good seal, making sure the ground wire does not become tangled.

12. Seal & Frame the unit as described on the last page of these instructions.



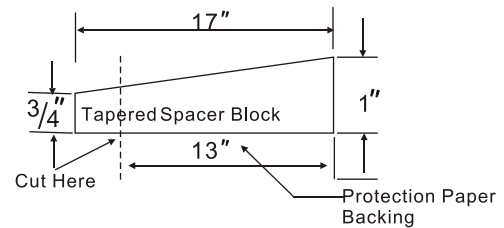
Wall Sleeve Brands:



#6 Whirlpool 17 1/8" Deep

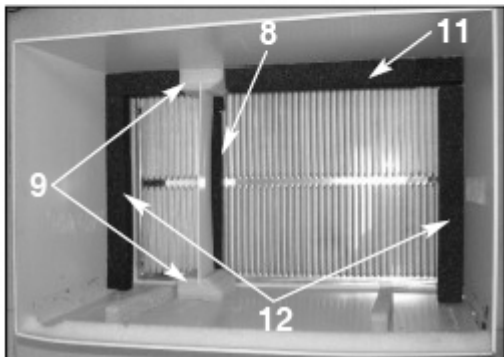
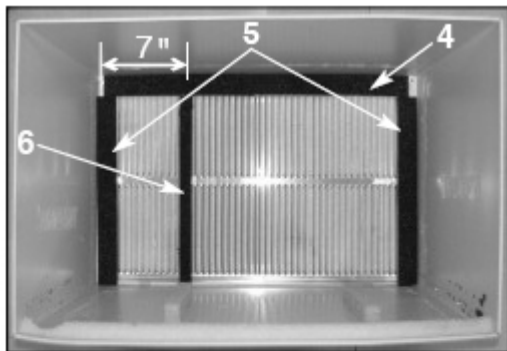
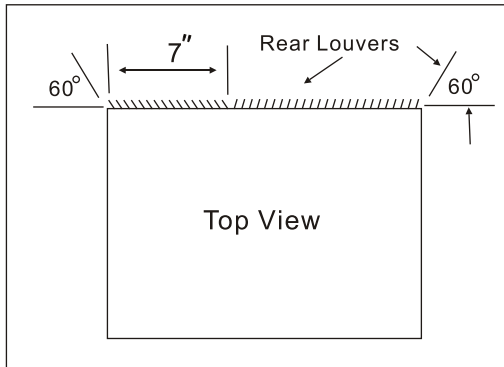
1. Redirect the louvers at the back of the wall sleeve as shown in the illustration. The use of pliers is recommended.

2. Cut (2) 17" Tapered Spacer Blocks as shown below into two pieces.



3. Install to the floor of the sleeve as shown. This helps induce a rearward slop on the unit.
4. Attach (1) 1 1/2" x 3/8" x 25" long seal in the center at the top of the sleeve. Remove the backing paper and press into position.
5. Attach (2) 1 1/2" x 3/8" x 14" seals to the left and right sides of the sleeve.
6. Cut the 1 1/2" x 3/8" x 25" long seal to 14" long and attach it to the vertical section of the rear grille as shown.
7. Center unit and gently slide unit into sleeve.
8. Before sliding all-the-way back, remove 2nd screw from front on left side of unit.
9. Remove the plastic washer from the screw.
10. Screw and attach the other end of the ground wire to the unit as shown in picture. Make sure that the toothed washer is against the cabinet.
11. Slide the unit completely to the rear to ensure a good seal, making sure the ground wire does not become tangled.
12. Seal & Frame the unit as described on the last page of these instructions.

Wall Sleeve Brands:



#7 Whirlpool (23" Deep)

1. Redirect the louvers at the back of the wall sleeve as shown in the illustration. The use of pliers is recommended.

Because of the increased unit depth, first try dry fitting using the method described below:

1. Place (2) 1½" x 1½" x 14" seals against each side.
2. Gently slide unit in and check if amount extending from the sleeve is sufficient once the trim frame is attached.
3. If position is Ok, remove unit and proceed to the next step. If not go to step 8.
4. Attach (1) 1½" x 1½" x 25" long seal in the center at the top of the sleeve. Remove the backing paper and press into position.
5. Attach (2) 1½" x 1½" x 14" seals to the left and right sides of the sleeve.
6. Cut the 1½" x 1½" x 25" long seal to 14" long and attach it vertically to the rear grille 7" from the left side.
7. Attach the tapered spacer blocks to the floor of the sleeve. Now go to step 13.

Use these next steps if the unit requires extra extension into the room.

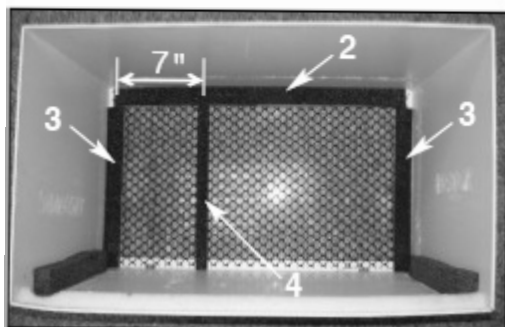
8. Attach 1" x ¾" x 14" long seal over the solid vertical portion of the rear grille.
9. Attach (2) 4½" x 3½" x 1½" foam blocks with the slot overlapping the seal above.
10. Install the divider into the slots of the foam blocks. You may need to trim the length to size.
11. Cut the 1½" x 1½" x 25" seal to fit the top of the sleeve. The pieces must be fitted flush to the edge of the divider.
12. Attach (2) 1½" x 1½" x 14" seals along the side of the sleeve again making sure all seal are flush.
13. Center unit and gently slide unit into sleeve.
14. Before sliding all-the-way back, remove 2nd screw from front on left side of unit.
15. Remove the plastic washer from the screw.
16. Screw and attach the other end of the ground wire to the unit as shown in picture. Make sure that the toothed washer is against the cabinet.
17. Slide the unit completely to the rear to ensure a good seal, making sure the ground wire does not become tangled.
18. Seal & Frame the unit as described on the last page of these instructions.

Wall Sleeve Brands:

#8 White Westinghouse/Frigidaire/ Carrier 52F Series (16" +17½"Deep)



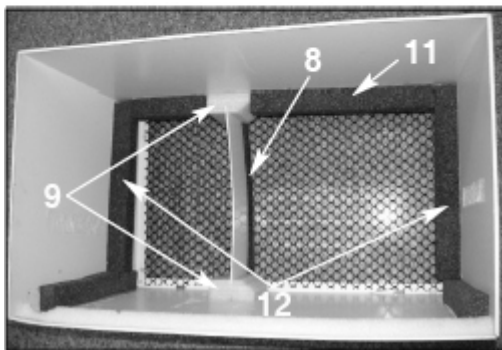
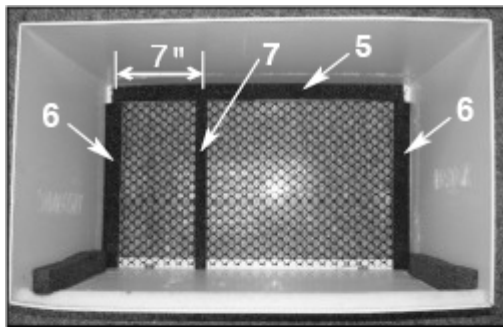
1. If the wall sleeve does not have a rear grille or louvered panel, install the plastic grille from the kit. The plastic grille is mounted to the inside of the wall sleeve at the rear flanges. There are (4) plastic nuts in the flanges of the wall sleeve. If some are missing replacements are included in the accessory kit, and can be simply pressed into the square holes in the flanges. Place the grille against the rear flanges and use the (4) large washers and screws to secure the grille.



2. Attach (1) 1½" x3/8" x25" long seal in the center at the top of the sleeve. Remove the backing paper and press into position.
3. Attach (2) 1½" x3/8" x14" seals to the left and right sides of the sleeve.
4. Cut the 1" x3/4" x14" long seal vertically 7" from the left side of the sleeve.
5. Center unit and gently slide unit into sleeve.
6. Before sliding all-the-way back, remove 2nd screw from front on left side of unit.
7. Remove the plastic washer from the screw.
8. Screw and attach the other end of the ground wire to the unit as shown in picture. Make sure that the toothed washer is against the cabinet.
9. Slide the unit completely to the rear to ensure a good seal, making sure the ground wire does not become tangled.
10. Seal & Frame the unit as described on the last page of these instructions.



Wall Sleeve Brands:



#9 White Westinghouse or Frigidaire (23' Deep)

1. If the wall sleeve does not have a rear grille or louvered panel, install the plastic grille from the kit. The plastic grille is mounted to the inside of the wall sleeve at the rear flanges. There are (4) plastic nuts in the flanges of the wall sleeve. If some are missing replacements are included in the accessory kit, and can be simply pressed into the square holes in the flanges. Place the grille against the rear flanges and use the (4) large washers and screws to secure the grille.

Because of the increased unit depth, first try dry fitting using the method described below:

2. Place (2) 1½" x 1½" x 14" seals against each side.
3. Gently slide unit in and check if amount extending from the sleeve is sufficient once the trim frame is attached.
4. If position is Ok, remove unit and proceed to the next step. If not go to step 8.
5. Attach (1) 1½" x 1½" x 25" long seal in the center at the top of the sleeve. Remove the backing paper and press into position.
6. Attach (2) 1½" x 1½" x 14" seals to the left and right sides of the sleeve.
7. Cut the 1½" x 1½" x 25" long seal to 14 long and attach it vertically to the rear grill 7" from the left side.

Use these next steps if the unit requires extra extension into the room.

8. Attach 1" x ¾" x 14" long seal over the solid vertical portion of the rear grille.
9. Attach (2) 4½" x 3½" x 1½" foam blocks with the slot overlapping the seal above.
10. Install into the slots of the foam blocks. You may need to trim the length to size.
11. Cut the 1½" x 1½" x 25" seal to fit the top of the sleeve. The pieces must be fitted flush to the edge of the divider.
12. Attach (2) 1½" x 1½" x 14" seals along the side of the sleeve again making sure all seal are flush.
13. Center unit and gently slide unit into sleeve.
14. Before sliding all-the-way back, remove 1st screw from front on left side of unit.
15. Remove the plastic washer from the screw.
16. Screw and attach the other end of the ground wire to the unit as shown in picture. Make sure that the toothed washer is against the cabinet.
17. Slide the unit completely to the rear to ensure a good seal, making sure the ground wire does not become tangled.
18. Seal & Frame the unit as described on the last page of these instructions.

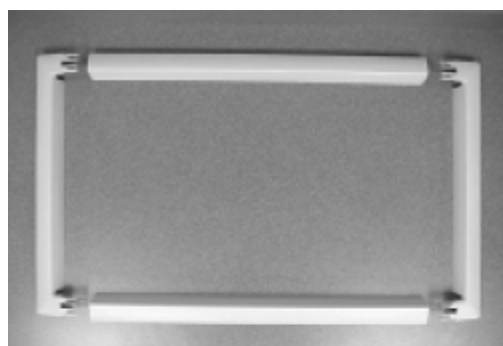
FINISHING INSTALLATION:



1. Install the 1"x1½"x84" long stuffer-seal between the wall-sleeve and the unit. A flat-bladed screwdriver or putty knife is recommended.



2. Assemble the trim frame by inserting top and bottom pieces into side pieces and snapping into place.

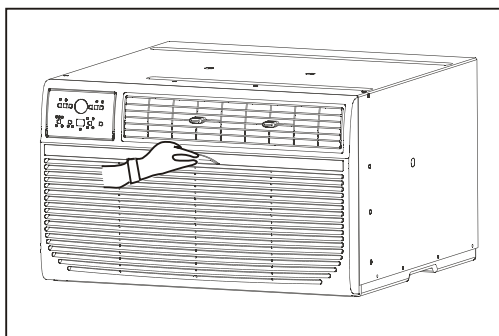


3. Pull cord through trim frame then slide over unit until flush with wall.

CARE AND CLEANING

CAUTION

Clean your air conditioner occasionally to keep it looking new. **Be sure to unplug the unit before cleaning to prevent shock or fire hazards.**



Air Filter Cleaning

The air filter should be checked at least once a month to see if cleaning is necessary. Trapped particles in the filter can build up and cause an accumulation of frost on the cooling coils.

- Grasp the filter by the center and pull up and out.
- Wash the filter using liquid dishwashing detergent and warm water. Rinse filter thoroughly. Gently shake excess water from the filter. Be sure the filter is thoroughly dry before replacing. Or, instead of washing you may vacuum the filter clean.

Note: Never use hot water over 40°C(104°F) to clean the air filter. Never attempt to operate the unit without the air filter.

Cabinet Cleaning

- Be sure to unplug the air conditioner to prevent shock or fire hazard. The cabinet and front may be dusted with an oil-free cloth or washed with a cloth dampened in a solution of warm water and mild liquid dishwashing detergent. Rinse thoroughly and wipe dry.
- Never use harsh cleaners, wax or polish on the cabinet front.
- Be sure to wring excess water from the cloth before wiping around the controls. Excess water in or around the controls may cause damage to the air conditioner.
- Plug in air conditioner.

Winter Storage

If you plan to store the air conditioner during the winter, remove it carefully from the window according to the installation instructions. Cover it with plastic or return it to the original carton.

TROUBLESHOOTING TIPS

Before calling for service, review this list. It may save you time and expense. This list includes common occurrences that are not the result of defective workman-ship or materials in this appliance.

Problem	Solution
Air conditioner does not start	<p><i>Wall plug disconnected. Push plug firmly into wall outlet.</i></p> <hr/> <p><i>House fuse blown or circuit breaker tripped. Replace fuse with time delay type or reset circuit breaker.</i></p> <hr/> <p><i>Plug Current Device Tripped. Press the RESET button.</i></p> <hr/> <p><i>Control is OFF. Turn Control ON and set to desired setting.</i></p>
Air from unit does not feel cold enough	<p><i>Room temperature below 17°C(62°F). Cooling may not occur until room temperature rises above 17°C(62°F).</i></p> <hr/> <p><i>Temperature sensing element touching cold coil, located behind air filter. Straighten tube away from coil.</i></p> <hr/> <p><i>Reset to a Lower temperature.</i></p> <hr/> <p><i>Compressor shut-off by changing modes. Wait approximately 3 minutes and listen for compressor to restart when set in the COOL mode.</i></p>
Air conditioner cooling, but room is too warm- ice forming on cooling coil behind decorative front.	<p><i>Outdoor temperature below 17°C(62°F). To defrost the coil, set FAN ONLY mode.</i></p> <hr/> <p><i>Air filter may be dirty. Clean filter. Refer to Care and Cleaning section. To defrost, set to FAN ONLY mode.</i></p> <hr/> <p><i>Thermostat set too cold for night-time cooling. To defrost the coil, set to FAN ONLY mode. Then, set temperature to a Higher setting.</i></p>
Air conditioner cooling, but room is too warm- NO ice forming on cooling coil behind decorative front.	<p><i>Dirty air filter- air restricted. Clean air filter. Refer to Care and Cleaning section.</i></p> <hr/> <p><i>Temperature is set too High, set temperature to a Lower setting.</i></p> <hr/> <p><i>Air directional louvers positioned improperly. Position louvers for better air distribution.</i></p> <hr/> <p><i>Front of units is blocked by drapes, blinds, furniture, etc. - restricts air distribution. Clear blockage in front of unit.</i></p> <hr/> <p><i>Doors, windows, registers, etc. Open- cold air escapes. Close doors, windows, registers.</i></p> <hr/> <p><i>Unit recently turned on in hot room. Allow additional time to remove " Stored heat" from walls, ceiling, floor and furniture.</i></p>
Air conditioner turns on and off rapidly	<p><i>Dirty air filter- air restricted. Clean air filter.</i></p> <hr/> <p><i>Outside temperature extremely hot. Set FAN speed to a Higher setting to bring air past cooling coils more frequently.</i></p>
Noise when unit is cooling	<p><i>Air movement sound. This is normal . If too loud, set to a slower FAN setting.</i></p> <hr/> <p><i>Window vibration - poor installation. Refer to installation instructions or check with installer.</i></p>
Water dripping INSIDE when unit is cooling.	<p><i>Improper installation. Tilt air conditioner slightly to the outside to allow water drainage. Refer to installation instructions - check with installer.</i></p>

Problem	Solution
Water dripping OUTSIDE when unit is cooling.	<i>Unit removing large quantity of moisture from humid room. This is normal during excessively humid days.</i>
Remote Sensing Deactivating Prematurely (some models)	<i>Remote control not located within range. Place remote control within 20 feet & 180° radius of the front of the unit.</i> <i>Remote control signal obstructed. Remove obstruction.</i>
Room too cold	<i>Set temperature too low. Increase set temperature.</i>

Design, material, performance data and components
subject to change without notice.

HEAT CONTROLLER, INC.

1900 Wellworth Ave., Jackson, MI 49203 ♦ Ph. 517-787-2100 ♦ Fax 517-787-9341

THE QUALITY LEADER IN CONDITIONING AIR

www.heatcontroller.com